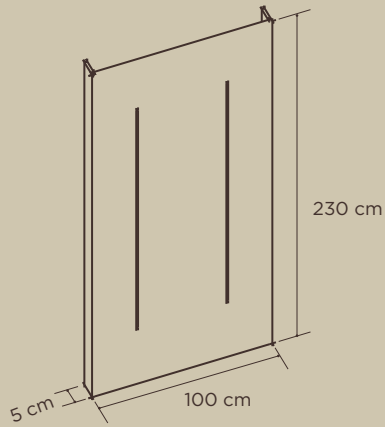


Paneles / Panels

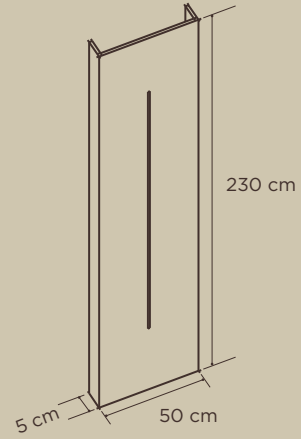
Ref. 2001

Panel a pared 100 cm. Herrajes incluidos
Vertical wall panel 100 cm. Fittings included



Ref. 2002

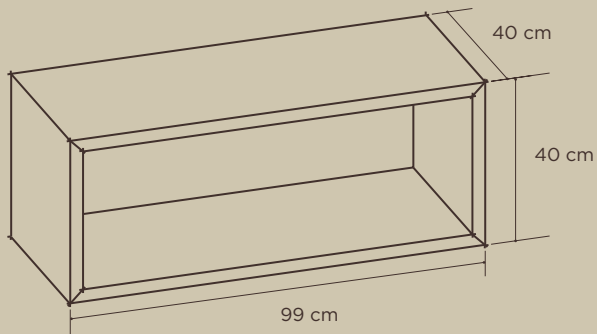
Panel a pared 50 cm. Herrajes incluidos
Vertical wall panel 50 cm. Fittings included



Estante cuadrado / Square Shelf

Ref. 2005

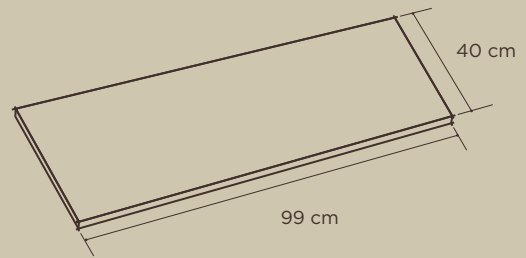
Estante cuadrado 99 cm
Square shelf 99 cm



Estante / Shelf

Ref. 2010

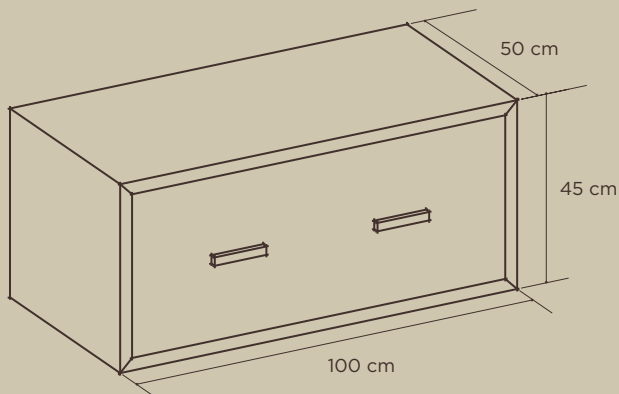
Estante 99 cm ranurado. Grosor 30 mm
Slotted shelf 99 cm. Thickness 30 mm



Buc / Storage Unit

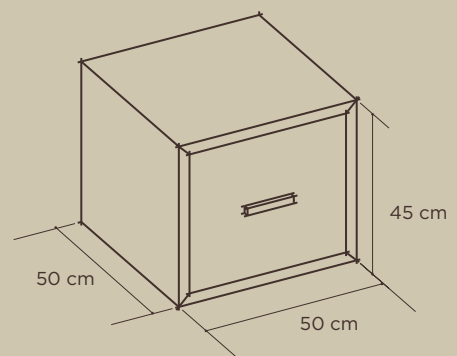
Ref. 2003

Buc 100 cm. Grosos 30 mm
Storage unit 100 cm. Thickness 30 mm



Ref. 2004

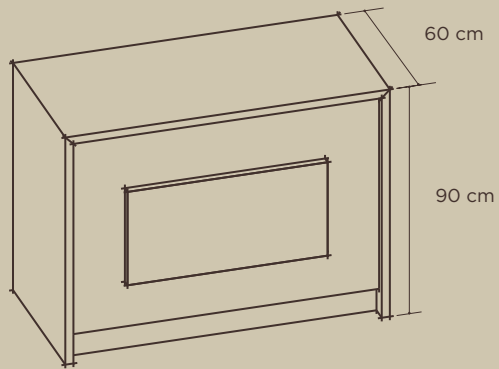
Buc 50 cm. Grosos 30 mm
Storage unit 50 cm. Thickness 30 mm



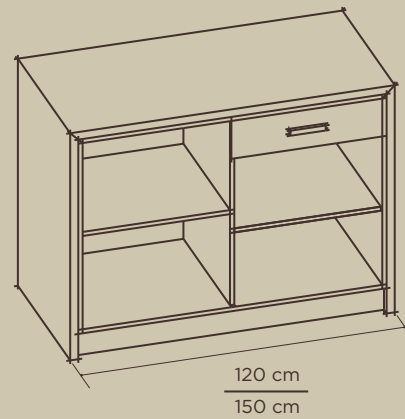
Mostrador / Counter

Ref. 2008

Mostrador vertical 120 cm
Vertical counter 120 cm

**Ref. 2009**

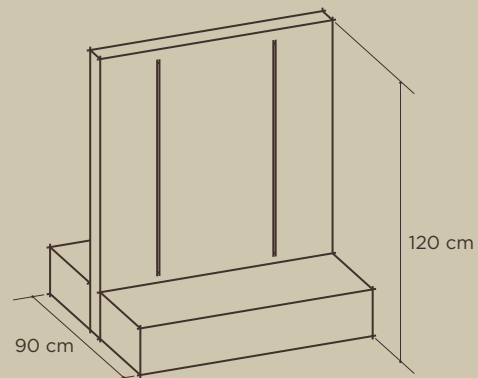
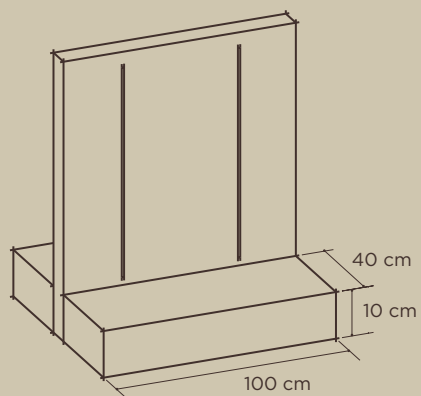
Mostrador vertical 150 cm
Vertical counter 150 cm



Góndola central / Central Gondola

Ref. 2006

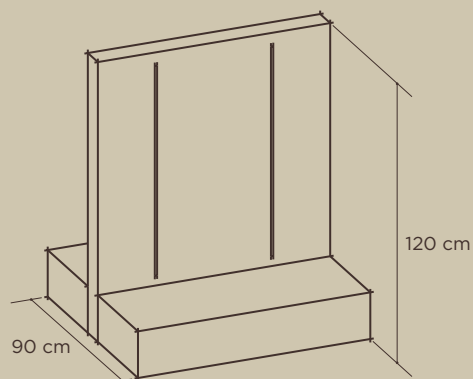
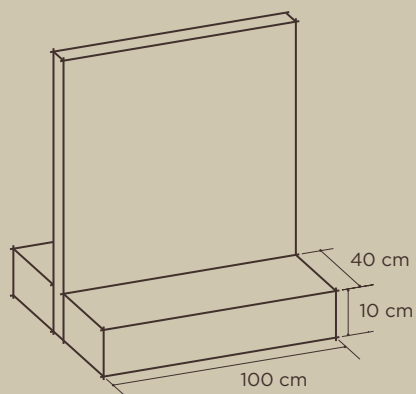
Góndola central 100 cm
Central gondola 100 cm



Góndola escaparate / Showcase Gondola

Ref. 2007

Góndola escaparate 100 cm
Showcase gondola 100 cm



Accesorios / Accessories

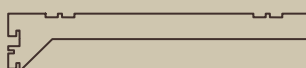
Ref. 2011

Cartela estante + soporte barra de colgar
Shelf bracket + hanging bar support



Ref. 2014

Cartela empotrable de 33 cm
Recessed bracket 33 cm



Ref. 2013

Tapón con pestaña para barra de colgar
Plug with tab for hanging bar



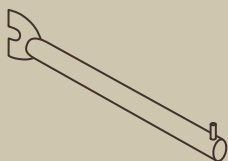
Ref. 1011

Barra de colgar 98 cm. Oval
Hanging bar. 98 cm. Oval



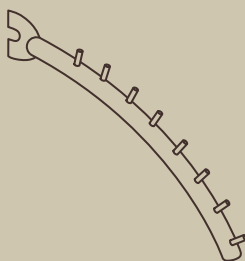
Ref. 1017

Perroquet plano recto
Straight hanger for shelf standard



Ref. 1018

Perroquet inclinado para cremallera
Waterfall hanger for shelf standard



Los accesorios siempre serán en cromo mate
Accessories are always in matt chrome